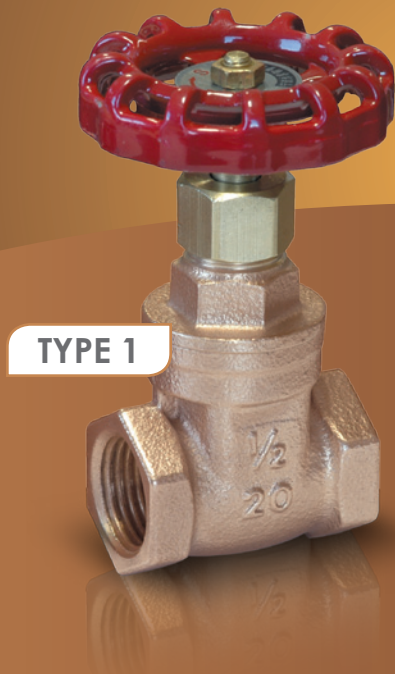


AYVAZ BRONZE GATE VALVE (NON-RISING STEM)



Design:

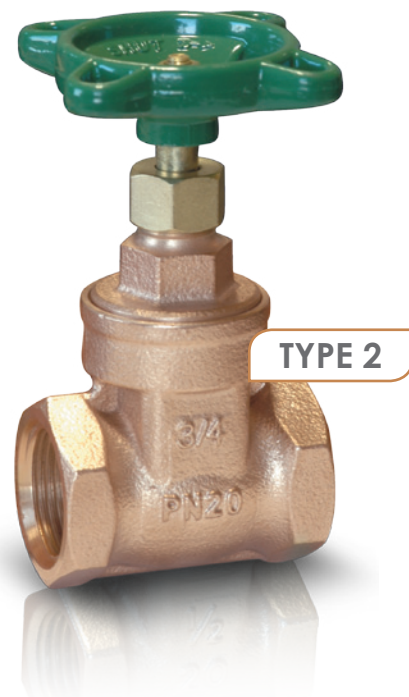
- Non-Rising Stem
- Full Port
- Solid Bronze Disc
- Screwed Bonnet
- Resistant to dezincification
- Threaded Ends
- Back Seat Protection

Features:

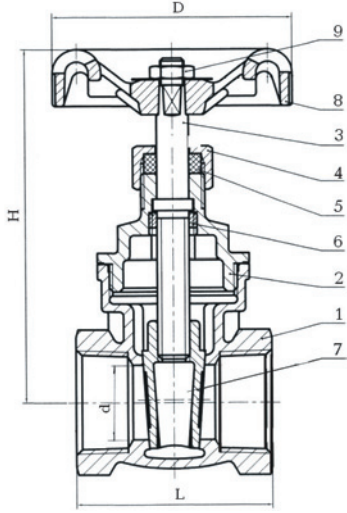
Suitable for hot or cold water and steam applications
Suitable for Oily media
PN 20 Pressure Rating
Max. working temperature: 170°C
Taper Pipe Thread EN ISO 7/1

Standard:

MSS SP-80 "Bronze Gate, Globe, Angle & Check Valves"



AYVAZ BRONZE GATE VALVE (NON-RISING STEM)



| MATERIAL LIST | | |
|---------------|---------------|------------------|
| Part Number | Part Name | Material |
| 1 | Body | Bronze CC491K |
| 2 | Bonnet | Bronze CC491K |
| 3 | Stem | DZR Brass CW602N |
| 4 | Packing Nut | Brass CW617N |
| 5 | Packing | P.T.F.E |
| 6 | Stem Bush | DZR Brass CW602N |
| 7 | Disc | Bronze CC491K |
| 8 | Handwheel | Aluminium |
| 9 | Handwheel Nut | Brass CW614N |

| DIMENSIONS | | | | | | | | | |
|------------|-----|-----|-----|-----|--------|------|------|-----|------|
| TYPE 1 | | | | | TYPE 2 | | | | |
| DN | d | L | H | D | DN | d | L | H | D |
| 15 | 13 | 43 | 78 | 52 | 15 | 12,7 | 49,5 | 74 | 52 |
| 20 | 19 | 49 | 92 | 60 | 20 | 19,1 | 53,5 | 85 | 52 |
| 25 | 25 | 54 | 103 | 60 | 25 | 25,4 | 62 | 106 | 70 |
| 32 | 32 | 62 | 116 | 70 | 32 | 31,8 | 70 | 113 | 70 |
| 40 | 38 | 65 | 133 | 78 | 40 | 38,2 | 77 | 132 | 92 |
| 50 | 50 | 75 | 156 | 92 | 50 | 50,9 | 87 | 155 | 92,5 |
| 65 | 63 | 87 | 190 | 100 | | | | | |
| 80 | 76 | 105 | 215 | 110 | | | | | |
| 100 | 100 | 124 | 258 | 130 | | | | | |

HEAD OFFICE - FACTORY

Atatürk Organize Sanayi Bölgesi Mustafa İnan Cad. No: 36 Hadımköy / İstanbul
Tel: +90 212 771 01 45 (pbx) | Fax: +90 212 771 47 27