

TA-2, TA-5·5F

■ Applications

Building equipment Industrial equipment Building complex

■ Features

1. Equipped with a quick exhaust mechanism, air inside piping can be quickly discharged at the time of initial water supply, ensuring smooth water supply.
2. No leakage from the valve due to synthetic rubber is used for valve seat.



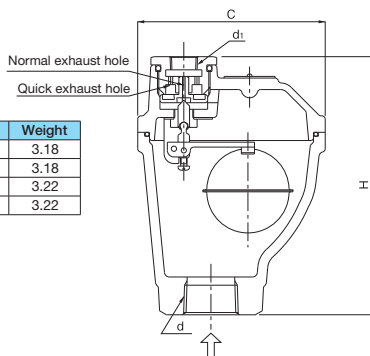
■ Specifications

Model	TA-2	TA-5	TA-5F
Application	Cold and hot water, Oil (specific gravity: 0.8 or more)		
Working pressure	0.01-1.0 MPa		
Maximum temperature	90°C		120°C
Operating pressure range of quick exhaust valve	0.01 MPa or less		
Material	Body	Ductile cast iron (FCD450)	Bronze
	Cover	Bronze	
	Valve	Brass	
	Sub valve	Brass (equipped with NBR disc)	Brass (equipped with FKM disc)
	Float	Stainless steel	
Connection	JIS Rc screwed		

· The body of the TA-2 is electrodeposition-coated for rustproofing.

■ Dimensions (mm) and Weights (kg)

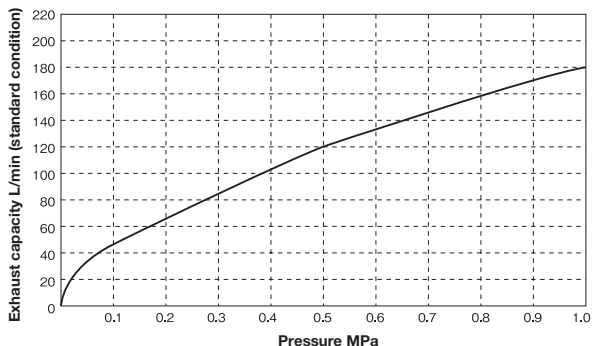
Nominal size	d	d ₁	H	C	Weight
15A	Rc 1/2	Rc 3/8	153	114	3.18
20A	Rc 3/4	Rc 3/8	153	114	3.18
25A	Rc 1	Rc 3/8	157	114	3.22
32A	Rc 1-1/4	Rc 3/8	157	114	3.22



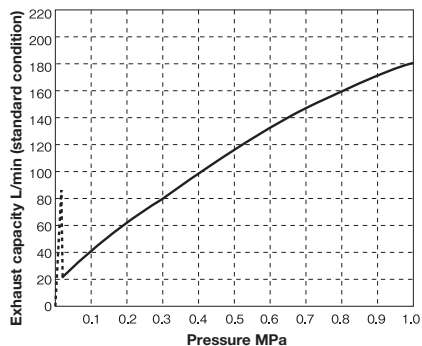
■ Please refer to P. 14 for discharge capacity.

■ Exhaust Capacity Chart

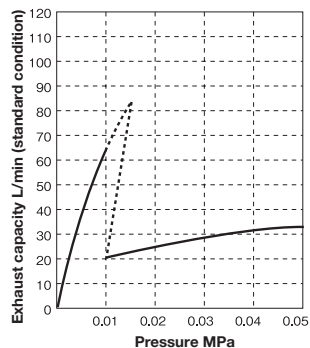
·TA-3-3C-6



·TA-2-2C-5-5F



Quick Exhaust Mechanism Operation Area



■ Precautions for Installation

- Remove foreign matter and scales from the lines before connecting the product, and install the valve vertically at the place where air easily accumulates.
- Install a stop valve (cock or gate valve) at air vent valve inlet in order to do maintenance and inspection.
- Leakage may occur by foreign matter and scales inside the pipe. Please install pipe to the exhaust hole as shown in the diagram, and make the outlet end prevent from back-flow to the drain.
- When leakage occur by foreign matter and scales, close the stop valve, remove the valve seat from exhaust hole and clean up the valve.

