

SU-6, 6SS, 6AS

Y type	Basket	Duplex	Temporary
Stainless steel	Nylon	Carbon steel	Easy plug
Pipe end core	One-touch	With fine mesh	Davit



■Features

1. Used mainly for cooling water and industrial water for dust prevention.
2. Designed for large-diameter piping and lighter than cast iron strainer.

■Specifications

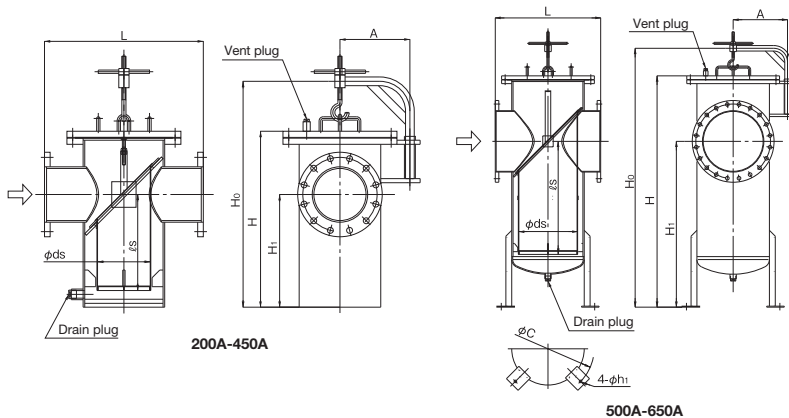
Model		SU-6	SU-6SS	SU-6AS
Application		Cold and hot water, Oil, Other non-dangerous fluids		
Nominal size		200A-650A		
Maximum pressure		1.0 MPa		
Maximum temperature		120°C		
Material	Body	Carbon steel pipe and rolled steel for carbon steel piping	General structural rolled steel and stainless steel	Stainless steel
	Screen	Stainless steel		
Screen	Perforation	ϕ 10-0.8 holes/cm ²		
	Mesh	Standard 40 mesh		
Connection		JIS 10K FF flanged		

- Available with 20 to 100 mesh screen.
- Available with rust-proof (hot-dip zinc coating) (SU-6).

■Dimensions (mm) and Weights (kg)

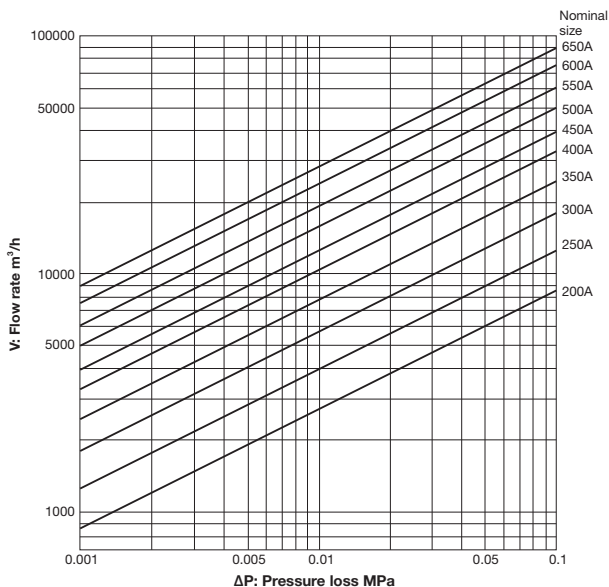
Nominal size	L	A	H ₀	H	H ₁	C	h ₁	ds	ℓs	Drain plug	Vent plug
200A	620	273	882	687	440	—	—	210	375	R 1	R 1/2
250A	660	295	1062	867	570	—	—	240	505	R 1	R 1/2
300A	710	330	1218	1021	670	—	—	290	600	R 1	R 1/2
350A	760	350	1306	1103	710	—	—	340	640	R 1	R 3/4
400A	810	400	1492	1253	810	—	—	390	740	R 1	R 3/4
450A	860	430	1655	1405	910	—	—	440	835	R 1	R 3/4
500A	910	455	2195	1945	1400	800	19	490	930	R 1 1/2	R 1
550A	960	480	2353	2107	1510	840	23	540	1030	R 1 1/2	R 1
600A	1010	510	2538	2237	1590	920	27	590	1100	R 1-1/2	R 1
650A	1060	545	2716	2419	1720	970	27	630	1220	R 1-1/2	R 1

* Dimensions H₁ and H₀ are reference values.



■SU-6 Pressure Loss Chart (For Water)

· Screen: Perforation = $\phi 10-0.8$ holes/cm², Mesh = 40 mesh



Please refer to P.4-12 for the information about how to look the chart, and calculating example.