

SU-20,20S,20C

Y type

Basket

Duplex

Temporary

Stainless steel

Nylon

Carbon steel

Easy plug

Pipe end core

One-touch

With fine mesh

Davit

4

Strainer

■ Features

1. The largest possible filtration area in view of flow rate decrease caused by clogging.
2. Disassembling and cleaning are easy due to a simply structured cover that can be fixed and removed simply by tightening or unfastening a single bolt.
3. Excellent corrosion resistance due to the inner and outer surface coated with Nylon 11 (SU-20C).



SU-20



SU-20C



SU-20S

■ Specifications

· SU-20 · SU-20C

Application	Cold and hot water, Oil (Kerosine, A and B heavy oil), Other non-dangerous fluids	
Nominal size	20A-150A	
Maximum pressure	1.0 MPa	
Maximum temperature	220°C	
Material	Body	Ductile cast iron
	Screen	Stainless steel
Screen	Perforation	ϕ 6-1.42 holes/cm ²
	Mesh	Standard 60 mesh
Connection	JIS 10K FF flanged	

- Available with rust-proof (SU-20).
- Available with 20 to 250 mesh screen. Please contact us for 150 mesh or more.
- The shape of the cap are different depend on the size.
20A-65A: Square, 80A: Hexagon, 100A,125A: Octagon, 150A: Decagon

· SU-20S

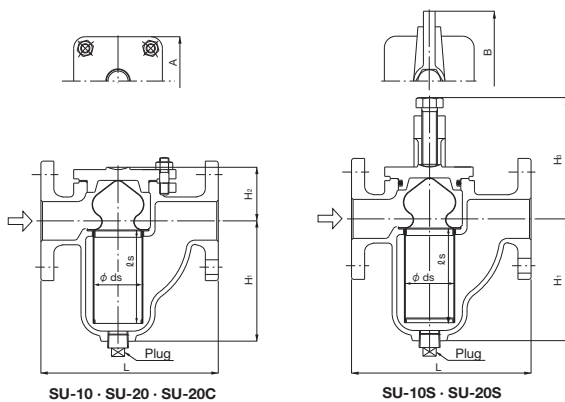
Application	Cold and hot water, Oil, Oil (kerosine, A, B heavy oil), Other non-dangerous fluids		
Nominal size	20A-100A	125A	150A
Maximum pressure	1.0 MPa	0.7 MPa	0.5 MPa
Maximum temperature	80°C		
Material	Body	Ductile cast iron	
	O-ring	NBR	
	Screen	Stainless steel	
Screen	Perforation	ϕ 6-1.42 holes/cm ²	
	Mesh	Standard 60 mesh	
Connection	JIS 10K FF flanged		

- Available with 20 to 150 mesh screen. Please contact us for 150 mesh or more.
- Available with O-ring FKM (Viton).
- The shape of the cap are different depend on the size.
20A-65A: Square, 80A: Hexagon, 100A,125A: Octagon, 150A: Decagon

■ Dimensions (mm) and Weights (kg)

4

Strainer



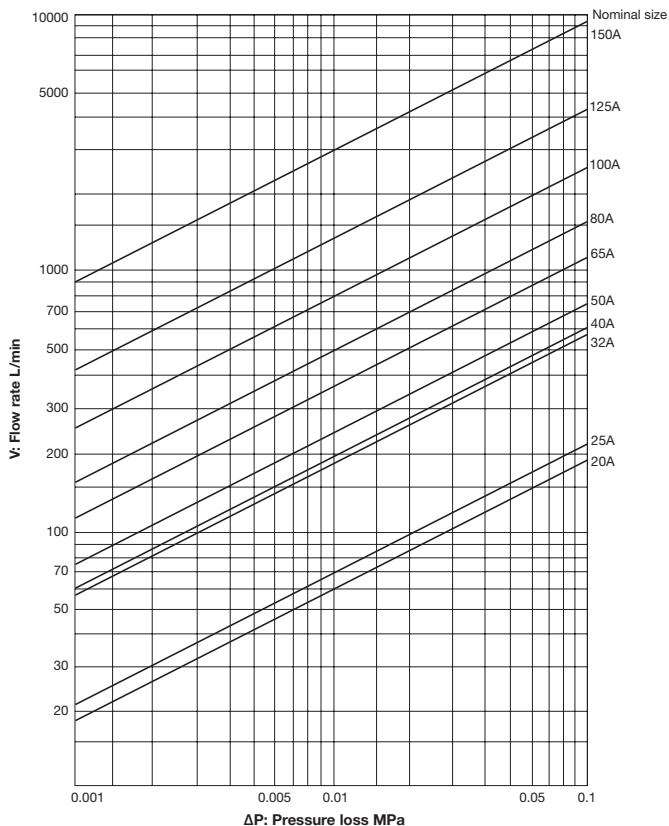
SU-10 · SU-20 · SU-20C

SU-10S · SU-20S

Nominal Size	L	H ₁	H ₂	H ₃	A	B	ds	&ls	Plug	Weight	
										SU-20 SU-10	SU-20S SU-10S
20A	175	97.5	54	107.5	87	131	40	70	R 3/8	5.0	5.6
25A	175	97.5	54	107.5	87	131	40	70	R 3/8	6.1	6.7
32A	230	146	67.5	115	115	179	64.5	108	R 3/4	11.1	12.5
40A	230	146	67.5	151	115	179	64.5	108	R 3/4	11.8	13.2
50A	230	156	69.5	153	115	179	64.5	120	R 3/4	12.4	13.8
65A	290	182	70	153.5	134	208	77	140	R 1	18.7	20.8
80A	300	197.5	88.5	189	185	249	90	160	R 1	23.8	27.1
100A	365	262	118.5	253	220	334	120	210	R 1-1/4	41.3	48.6
125A	425	340.5	134.5	269	248	362	140	270	R 1-1/2	61.4	69.4
150A	505	378	158.5	293	305	414	175	300	R 2	98.4	108.3

■SU-20, SU-10 Pressure Loss Chart (For Water)

· Screen: Perforation = ϕ 6-1.42 holes/cm², Mesh = 60 mesh



Please refer to P. 4-12 for the information about how to look the chart, and calculating example.