

AYVAZ ELECTROMAGNETIC FLOWMETER

GENERAL FEATURES

Electromagnetic flowmeters can be easily used in all liquids with conductivity over 20 μS . Flow meters provide a healthy and long-lasting measurement opportunity by changing the sensor selection in liquids with corrosive properties according to different substances. The inner surface can be preferred as rubber or PTFE. The device, which allows density adjustment, flow unit adjustment, and temperature adjustment, can be used safely in different liquids with any density. The device menu is user-friendly and It has a usage that allows to make security settings with 4 different encryptions. Flow rate, conductivity and total working hours can be monitored on a single screen.

APPLICATIONS

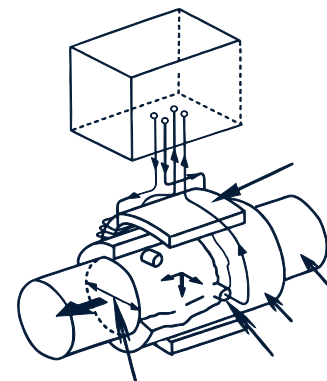
- Water and Wastewater Industry
- Food and Beverage Industry
- Pharmaceutical and Cosmetic Industry
- Agriculture
- Mining Industry
- Energy Industry
- Petroleum Industry

TECHNICAL FEATURES

Measuring Range: 0.11 - 11.3 m^3/h
Measurement Range: Conductive Liquids
Body Material: ST37 Steel + Corrosion Resistant Paint
Sensor Material: SS316L Opt: SS304, HastelloyC, HastelloyB, Titanium, Tantalum, Platinum
Inner Coating: Teflon (PTFE) or Hard Rubber (Rubber)
Sensitivity: 0.5% or 0.25%
Temperature: -10°C ... $+80^{\circ}\text{C}$ Rubber/ -20°C ... $+180^{\circ}\text{C}$ Teflon
Humidity: 5%-95%
Measurable Minimum Conductivity: 20 $\mu\text{S}/\text{cm}$ Water, 5 $\mu\text{S}/\text{cm}$ Other Liquids
Connection: Flange Connection, Opt: Clamb Connection
Pressure: 4MPa, 1.6MPa, 1.0MPa
Supply: 85 -265 VAC 50 Hz or 24VDC, Opt. battery powered
Grounding: Including Grounding
Electrode Output: Pulse/Frequency/4-20mA/RS485 Modbus/2 X Transistor Alarm (Programmable) /Opt. HART Alarms:

Empty Pipe, Sensor Error, Limit Exceeded

Reporting: Daily, Weekly, Monthly and Annual total flow (negative/positive/net) (Optional) Sampling Rate: It can be selected from 0.2s to 100s.

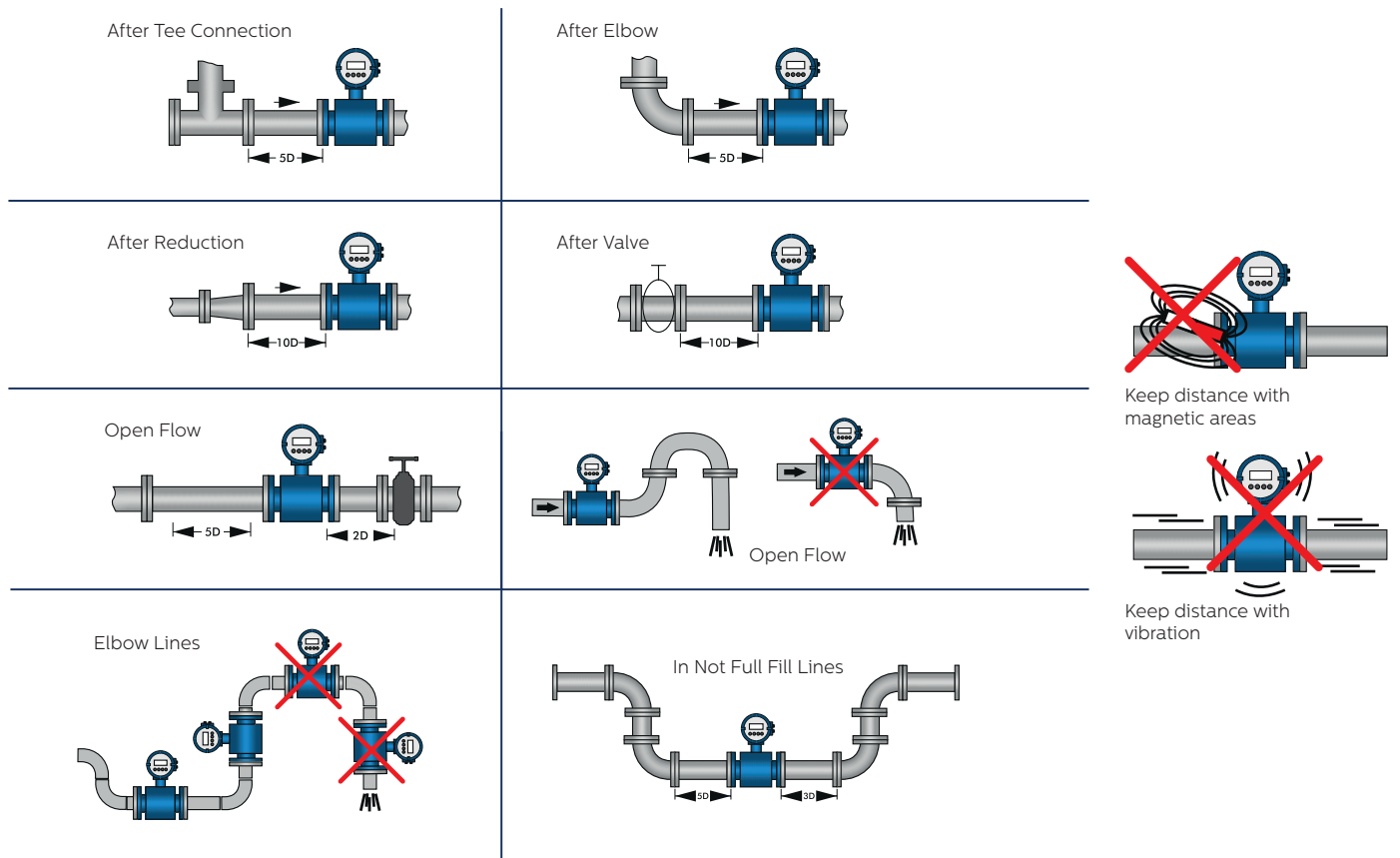


AYVAZ ELECTROMAGNETIC FLOWMETER

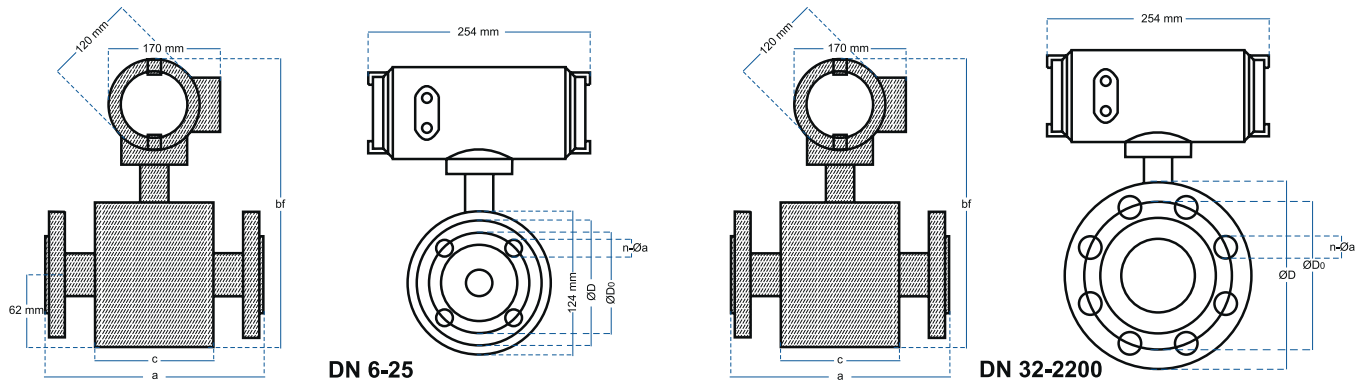
ELEKTROMANYETİK DEBİMETRELERİN DİĞER DEBİMETRELERE GÖRE AVANTAJLARI

- There are no mechanical parts that prevent the flow and reduce the pressure.
 - Measurement scale; 10 times more than other flow meters.
 - All measurements and adjustments can be made/displayed via the integrated or wall-mounted LCD display. It can be composed according to the process and fluid with the user interface (Density setting can be entered)
 - The menu can be protected with a password.
 - Simultaneously, instantaneous and total flow can be observed on the LCD screen.
 - With the report feature, old data can be examined (daily, weekly, monthly, yearly)
 - Total flow can only be reset with a password.
 - Flow rates between 0.3 and 15 m/s can be measured and the speed can be monitored on the LCD screen.
 - Calibration (full-filled and stable fluid-filled pipe) can be done with the menu.
- Measurement accuracy can be achieved as 0.2%
- Conductivity measurement can be made and displayed on the LCD screen.
 - It can take measurements in all homogeneous conductive liquids above 5 μS .
- It provides resistance to environmental electronic noises through its grounding electrode.
Thanks to its flange connection, it provides reliable, easy and long-lasting mounting feature.
It is protected against external factors thanks to its metal body.

INSTALLATION APPLICATIONS



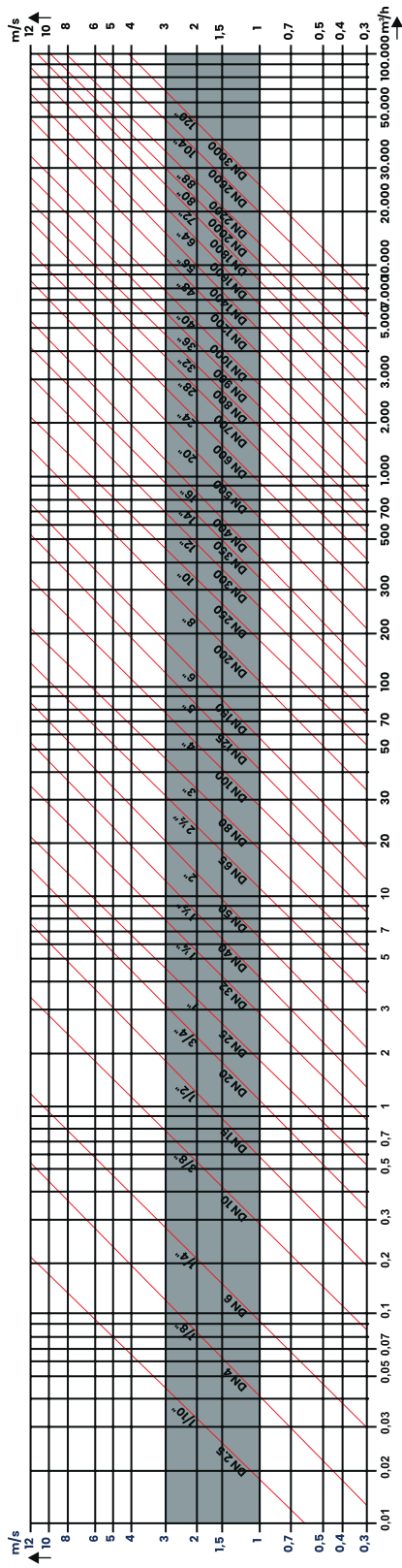
AYVAZ ELECTROMAGNETIC FLOWMETER



DN (mm)	Pressure	DIAMETERS (mm)			FLANGE CONNECTIONS (mm)		
		a	bf	C	D	DO	nxa
10	4.0 MPa (40 Bar)	150	322	82	90	60	4-Ø14
15		150	322	82	95	65	4-Ø14
20		150	322	78	105	75	4-Ø14
25		150	312	78	115	85	4-Ø14
32		150	327	74	135	100	4-Ø18
40		150	335	74	145	110	4-Ø18
50		200	354	86	160	125	4-Ø18
65		200	366	92	180	145	8-Ø18
80		200	385	92	195	160	8-Ø18
100		1.6 MPa (16 Bar)	250	406	114	215	180
125	250		436	114	245	210	8-Ø18
150	300		465	136	280	240	8-Ø23
200	1.0 MPa (10 Bar)	350	518	156	335	295	8-Ø23
250		400	570	202	390	350	12-Ø23
300		500	620	230	440	400	12-Ø23
350		500	675	278	500	460	16-Ø23
400		600	733	320	565	515	16-Ø25
450		600	782	374	615	565	20-Ø25
500		600	835	388	670	620	20-Ø25
600		600	940	408	780	725	20-Ø30
700		700	1048	520	895	840	24-Ø30
800		800	1160	580	1010	950	24-Ø34
900	900	1260	660	1110	1050	28-Ø34	
1000	1000	1370	720	1220	1160	28-Ø34	
1200	0.6 MPa (6 Bar)	1200	1585	1130	1405	1340	32-Ø34
1400		1400	1810	1260	1630	1560	36-Ø36
1600		1600	2040	1450	1830	1760	40-Ø36
1800		1800	2250	1640	2045	1970	44-Ø39
2000		2000	2460	1820	2265	2180	48-Ø42
2200		2200	2670	1990	2510	2390	52-Ø45

AYVAZ ELECTROMAGNETIC FLOWMETER

FLOWRATE / DIAMETER / VELOCITY CHART



- 1- According to the flow rate information, which diameter products are suitable can be selected.
- 2- According to the speed information, which diameter products are suitable can be selected.
- 3- Flow measurement range can be selected according to the diameter information.
- 4- It should be considered as the most stable range for the measurement between 1-3 m/s.



HEAD OFFICE - MAIN FACTORY

Atatürk Sanayi Bölgesi Hadımköy Mahallesi
Mustafa İnan Caddesi No: 44 Arnavutköy - İstanbul
Tel: +90 212 771 01 45 (pbx) | Fax: +90 212 771 47 27
info@ayvaz.com | www.ayvaz.com



Cona
Caserta / Italy
Tel : +39 0823 187 3988
rmolaro@ayvaz.com



Ayvaz Ukraine
Kiev / Ukraine
Tel : +380 44 390 57 57
info@ayvaz.com.ua



Tricorr
Warsaw / Poland
Tel : +48 530 030 810
tricorr@tricorr.eu



Ayvaz Germany
Viernheim / Germany
Tel : +49 62046014399
germany@ayvaz.com



Ayvaz Serbia
Belgrade / Serbia
Tel : +381 61 658 70 52
yakbiyik@ayvaz.com



Ayvaz Azerbaijan
Baku / Azerbaijan
Tel : +99(455)579-84-32
ahayatov@ayvaz.com



Ayvaz Kazakhstan LLP
Almaty / Kazakhstan
Tel : +7 (727) 327 97 57
www.ayvaz.kz



Ayvaz N
Isperih / Bulgaria
Tel : +359 8431 27 32
office@ayvaz-n.eu



Ayvaz Vietnam
HCMC / Vietnam
Tel : +84 89 8508345
ggursoy@ayvaz.com



Ayvaz China
Ningbo / China
Tel : +86 152 5830 7361
msahin@ayvaz.com



Ayvaz Egypt
Cairo / Egypt
Tel : +20 122 819 78 29
andrew.eid@ayvaz.com



Ayvaz Gulf
Dubai / U.A.E.
Tel : +971 563550822
+971 501306871
mideast@ayvaz.com



Ayvaz Americas
Rhode Island
Tel : +1 401 737 8380
americas@ayvaz.com