

CV10/S1-S2

CHECK VALVES

GENERAL FEATURES

Check valves are commonly used armatures that can be applied for liquid, gaseous and steam applications. They increase the process safety and can be used instead of complicated armatures. Because of short installation time and installation distance, small dimensions; Ayvaz disco check valve appears to be advantageous.

Check valves provide the flows just one way. When liquid flows through to flowing direction, check valves open and let it pass. But liquid tries to flow opposite direction of flowing, check valves close and prevent passing.

Connection:

Wafer type

Nominal Diameter:

DN15 (1/2") - DN100 (4")

Working Pressure: Up to 40 bars

Typical Applications:

- Iron and steel industry
- Heating air-conditioning pipe lines
- Mineral, oil industry
- Wood working, pulp and paper industry
- Textile industry
- Water and condensate lines
- Nautical industry

SIZES	
mm	inches
15-100	1/2" - 4"

SEATS		VALVES	
		CV10/S1	CV10/S2
METAL	max	300 °C	300 °C
	min	-60 °C	-60 °C
NBR	max	120 °C	120 °C
	min	-30 °C	-30 °C
EPDM	max	150 °C	150 °C
	min	-40 °C	-40 °C
FKM	max	200 °C	200 °C
	min	-25 °C	-25 °C
PTFE	max	230-250 °C	230-250 °C
	min	-60 °C	-60 °C

WEIGHTS									
Connection Type	Flanged								
Sizes (mm)	15	20	25	32	40	50	65	80	100
Weights (kg)	0,08	0.13	0.18	0.33	0.54	0.89	1.2	2.1	3.1

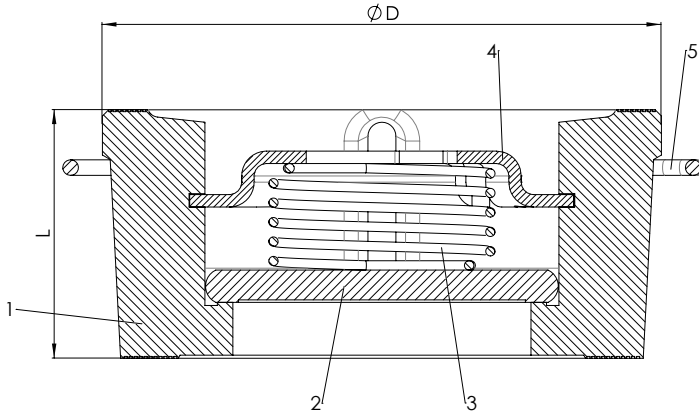
OPERATING CONDITIONS	
Nominal Pressure PN	40
Max. Operating Pressure (bar)	40-38-37
Temp. Related to Pressure (°C)	100-200-300

CONNECTIONS	
Wafer Type	BS 10 tables D, E, F DIN 2501 (PN 6/10/16) ANSI B 16.1 class 125 FF

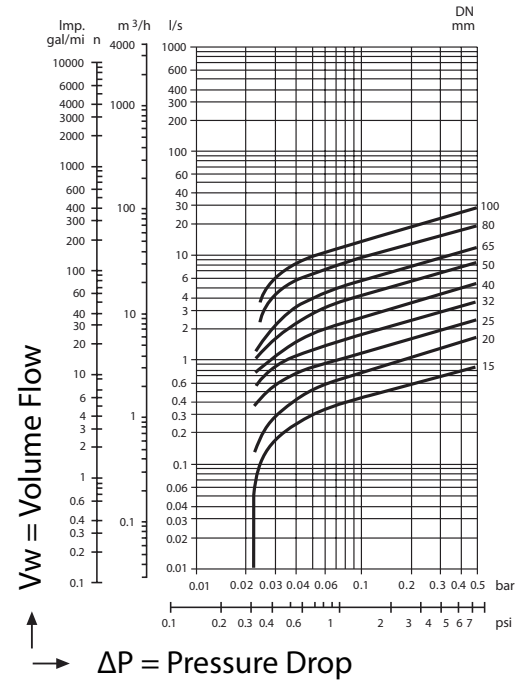
CV10/S1-S2 CHECK VALVES

The curves given in the chart are valid for water at 20°C. To read the pressure drop for other fluids the equivalent water volume flow rate must be calculated and used in the graph.

The values indicated in the chart are applicable to spring - loaded valves with horizontal flow.



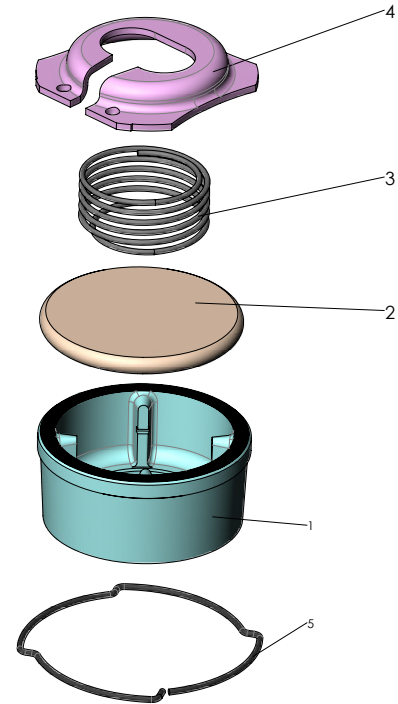
Pressure Drop Chart



SPARE PARTS	CV 10/S1	CV 10/S2
1 Body	AISI 304 Stainless Steel	AISI 316 Stainless Steel
2 Disc	AISI 304 Stainless Steel	AISI 316 Stainless Steel
3 Spring	AISI 304 Stainless Steel	AISI 316 Stainless Steel
4 Segment	AISI 304 Stainless Steel	AISI 316 Stainless Steel
5 Centering Hoop	AISI 304 Stainless Steel	AISI 316 Stainless Steel

DIMENSIONS									
Diameter mm	15	20	25	32	40	50	65	80	100
L (mm)	16	19	21	27	31	40	46	50	60
D (mm)	39	46	54	70	80	96	113	130	150

OPENING PRESSURE MBAR				
DN	Flow Direction			
	Without Spring ↑	Spring ↑ ⇒ ↓		
15	2.5	25	22.5	20
20	2.5	25	22.5	20
25	2.5	25	22.5	20
32	3.5	27	23.5	20
40	4	28	24	20
50	4.5	29	24.5	20
65	5	30	25	20
80	5.5	31	25.5	20
100	6.5	33	26.5	20



HEAD OFFICE - FACTORY

Atatürk Sanayi Bölgesi Hadımköy Mahallesi Mustafa İnan Caddesi No: 44 Arnavutköy - İSTANBUL
 Tel: +90 212 771 01 45 (pbx) | Fax: +90 212 771 47 27
 info@ayvaz.com | www.ayvaz.com

Cona Caserta/Italy Tel: +39 0823 187 3988 rmolaro@ayvaz.com	Ayvaz Germany Viernheim/Germany Tel: +49 62046014399 germany@ayvaz.com	Ayvaz Ukraine Kiev/Ukraine Tel: +380 44 390 57 57 info@ayvaz.com.ua	Tricorr Warsaw/Poland Tel: +48 530 030 810 +48 533 603 335 tricorr@tricorr.eu	Ayvaz Azerbaijan Baku/Azerbaijan Tel: +99 (455) 579-84-32 ahayatov@ayvaz.com	Ayvaz Egypt Cairo/Egypt Tel: +20 122 819 78 29 andrew.eid@ayvaz.com	
Ayvaz Gulf Dubai/U.A.E Tel: +971 563550822 +971 501306871 mideast@ayvaz.com	Ayvaz China Ningbo/China Tel: +86 152 5830 7361 msahin@ayvaz.com	Ayvaz Kazakhstan LLP Almaty/Kazakhstan Tel: +7 (727) 327 97 57 info_kz@ayvaz.com	Ayvaz N Ispirih/Bulgaria Tel: +359 8431 27 32 office@ayvaz-n.eu	Ayvaz Serbia Belgrade/Serbia Tel: +381 61 658 70 52 yakbiyik@ayvaz.com	Ayvaz Vietnam HCMC/Vietnam Tg: +84 89 8508345 ggursoy@ayvaz.com	Ayvaz Americas Rhode Island/USA Tel: +1 401 737 8380 americas@ayvaz.com