

400

Features

1. No need for cleaning of the dome since rotating spinner keeps the inside of the dome clean.
2. Fluid flow can be detected from the rotation of the spinner, and flow rate change is identified by its rotating speed.
3. Easy to assemble and disassemble due to simple design. Can be connected to horizontal/vertical piping.

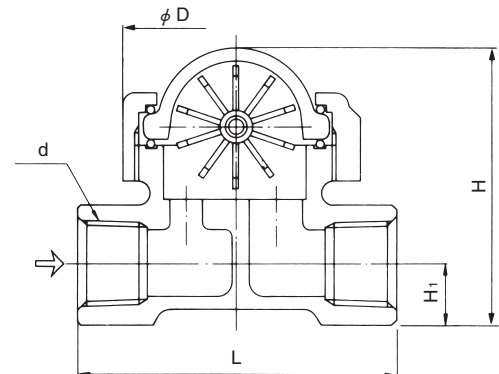
Specifications

Application		Cold and hot water
Maximum working pressure		0.7 MPa
Max. temperature		100°C
Max. thermal shock		40°C
Material	Body	Cast bronze
	Glass	Heat-resistant glass
	Spinner	Special heat-resistant resin
Connection		JIS Rc screwed

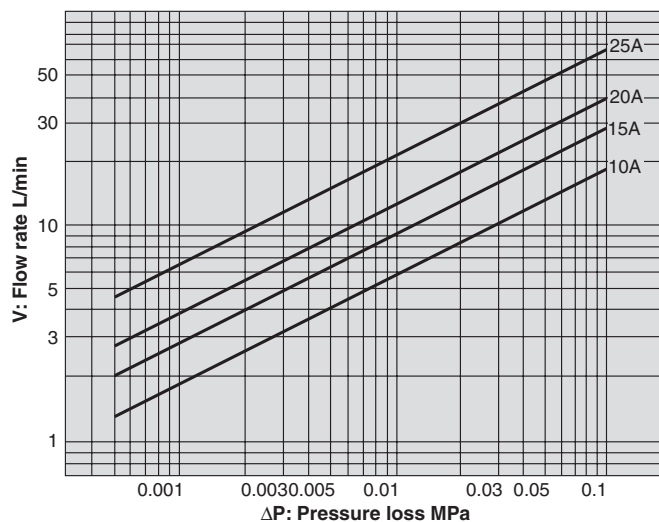
- When using this sight glass at a temperature difference of 40°C or more, note that the glass may get damaged if the temperature rapidly rises or the glass is cooled from outside.
- Glass part and spinner are consumable supply.

Dimensions (mm) and Weights (kg)

Nominal size	d	L	H ₁	H	D	Weight
10A	Rc 3/8	76	12	67	54	0.45
15A	Rc 1/2	76	14.5	69.5	54	0.50
20A	Rc 3/4	83	17	76	54	0.60
25A	Rc 1	89	21.5	93.5	66.5	0.95



Pressure Loss Chart (For Water)



Min. & Max. Flow Rate (Water)

Nominal size	Min. flow rate L/min	Max. flow rate L/min
10A	0.8	8.3
15A	1.0	13
20A	1.5	18
25A	2.3	30

- The minimum flow rate is the value required for the spinner to continuously rotate.
- The maximum flow rate is the value when pressure loss is approximately 0.02 MPa.
For further information, see the pressure loss chart on the left.