

AL-300T·301T

Features

1. Safety relief valve, simple structure and easy maintenance.
2. Easy adjustment.
3. Fluororesin disc ensures reliable seating.

Specifications

Model	AL-300T	AL-301T
Structure	Closed type	
Application	Air, Cold and hot water, Oil, Other non-dangerous fluids	
Working pressure	0.05-1.0 MPa	0.05-1.3 MPa *1
Maximum temperature	150°C	
Material	Ductile cast iron	
	Valve case, spring case	
	Valve, valve seat	Cast bronze·PTFE
Connection	JIS 10K FF flanged	
		JIS 16K FF flanged *2

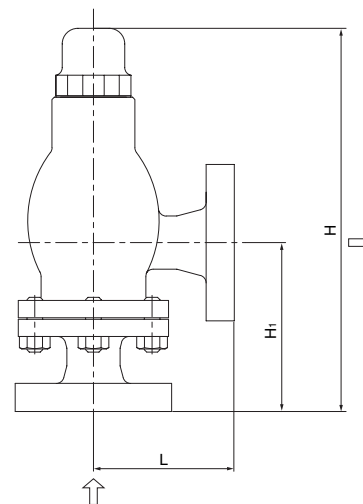
*1 Please contact us if working pressure is between 1.31 MPa and 1.6 MPa.

*2 JIS 16K FF flanged when working pressure is more than 1.0 MPa.



Dimensions and Weights

Nominal size	Dimension (mm)				Flow area $\pi D l$ (mm ²)	Weight (kg)
	L	H ₁	H	Seat diameter		
15A	90	108	245	29	66.1	4.7
20A	90	108	245	29	66.1	5.0
25A	90	108	245	29	66.1	6.2
32A	91	115	285	37	107.6	8.6
40A	91	115	285	37	107.6	8.8
50A	105	132	311	50	196.4	12.6



Certified Capacity Table

● For air (20°C) <Pressure vessel structure standard>

Nominal size	Pressure MPa																
	0.05	0.1	0.2	0.3	0.4	0.5	0.6	0.7	0.8	0.9	1.0	1.1	1.2	1.3	1.4	1.5	1.6
15A	84	109	159	213	268	322	377	432	486	541	595	650	704	759	604	645	685
20A	84	109	159	213	268	322	377	432	486	541	595	650	704	759	604	645	685
25A	84	109	159	213	268	322	377	432	486	541	595	650	704	759	604	645	685
32A	136	178	259	347	436	525	614	703	792	880	969	1058	1147	1236	1324	1413	1502
40A	136	178	259	347	436	525	614	703	792	880	969	1058	1147	1236	1397	1491	1584
50A	249	325	473	635	797	959	1121	1283	1445	1607	1769	1932	2094	2256	2418	2580	2742

● For water (accumulation: 25%) <Yoshitake standard>

Nominal size	Pressure MPa																
	0.05	0.1	0.2	0.3	0.4	0.5	0.6	0.7	0.8	0.9	1.0	1.1	1.2	1.3	1.4	1.5	1.6
15A	0.8	1.1	1.6	2.0	2.3	2.6	2.8	3.1	3.3	3.5	3.7	3.9	4.0	4.2	3.2	3.3	3.5
20A	0.8	1.1	1.6	2.0	2.3	2.6	2.8	3.1	3.3	3.5	3.7	3.9	4.0	4.2	3.2	3.3	3.5
25A	0.8	1.1	1.6	2.0	2.3	2.6	2.8	3.1	3.3	3.5	3.7	3.9	4.0	4.2	3.2	3.3	3.5
32A	1.3	1.9	2.7	3.3	3.8	4.2	4.7	5.0	5.4	5.7	6.0	6.3	6.6	6.9	7.1	7.4	7.6
40A	1.3	1.9	2.7	3.3	3.8	4.2	4.7	5.0	5.4	5.7	6.0	6.3	6.6	6.9	7.5	7.8	8.1
50A	2.4	3.5	4.9	6.0	7.0	7.8	8.5	9.2	9.9	10.5	11.0	11.6	12.1	12.6	13.1	13.5	14.0

• AL-300T: 0.05-1.0 MPa

AL-301T: 0.05-1.6 MPa

• Please contact us for the calculation procedure for nominal size selection.