




SECTION 5.1_KSGH

GAUGE HATCH COVER UNDER 0.03 kg/cm²

INTRODUCTION

 **The model KSGH**, the sampling and gauging hatch Cover, is designed, manufactured and tested according to the KSPC standard code. **KSGH** is made to take the fluid samples from the storage tank, to measure the temperature, and to take test of the stored fluids. **KSGH** is used under 0.03 kg/cm² pressure of storage tank.

Operating Pressure

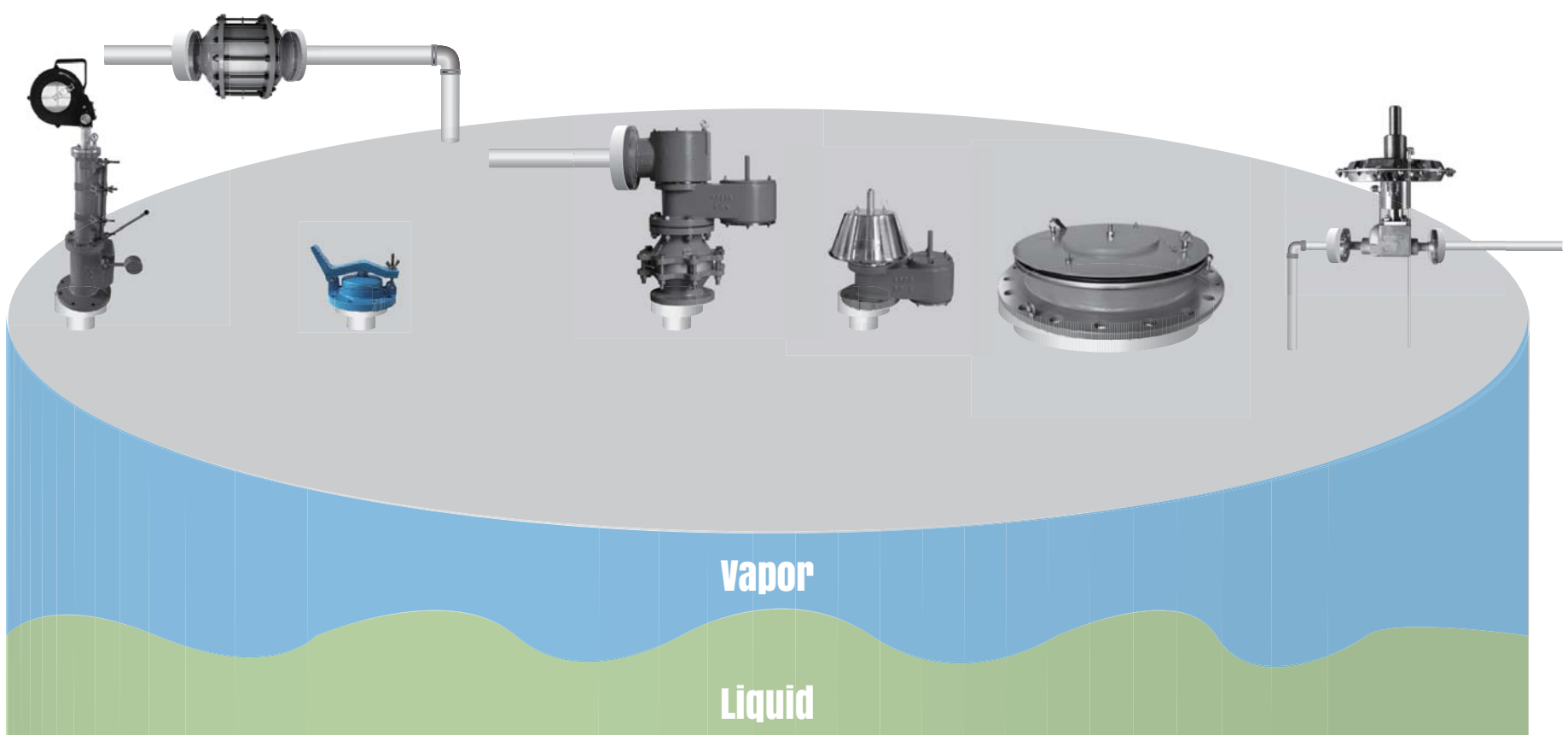
KSGH model	0.03 kg/cm ²
------------	-------------------------

 **Body Materials** Aluminium, Carbon Steel, SS304 and SS316 with various trims

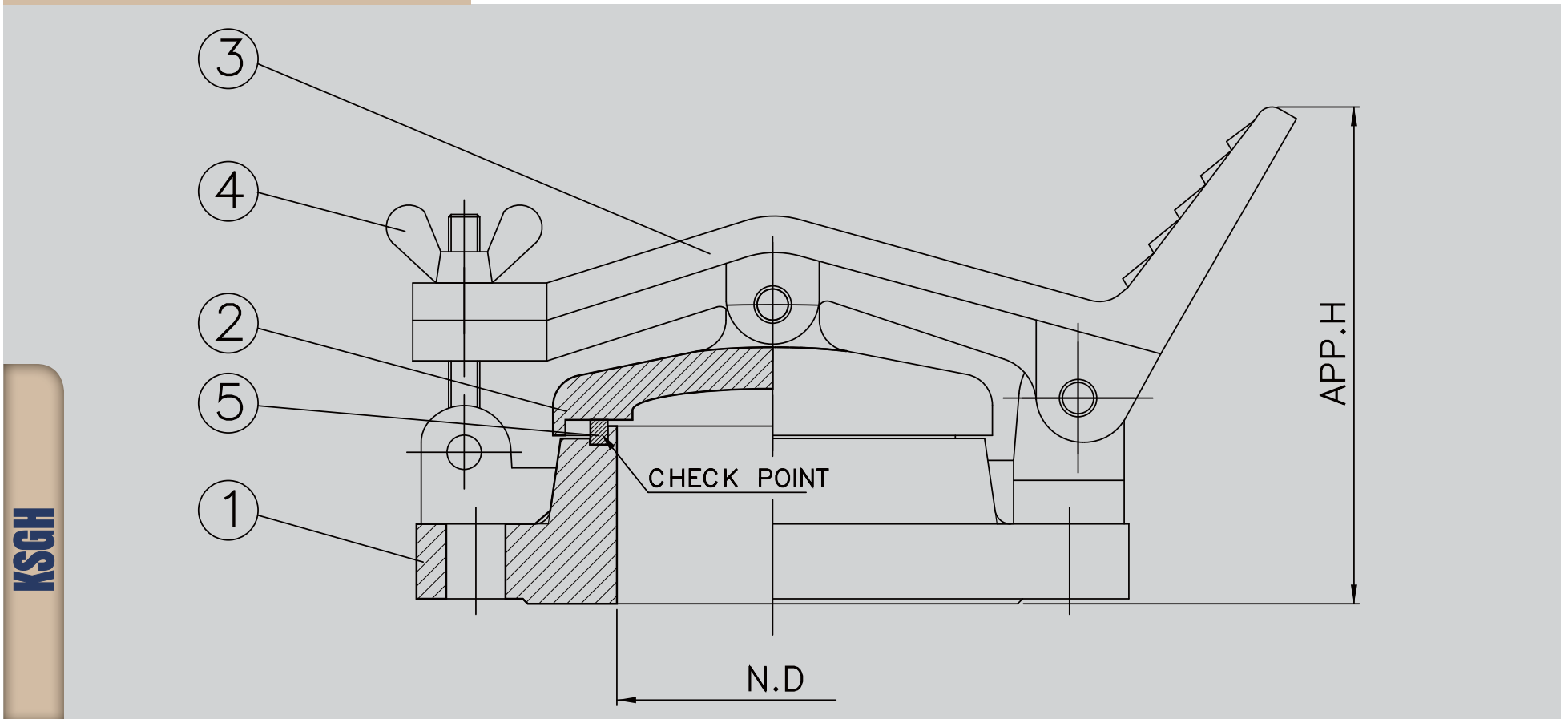
 **Sizes range** DN 80 ~ DN 300 with ANSI 150lb flanges (Other connection all available)

 **Rules & Certifications** designed, manufactured and tested according to the KSPC standard code.

APPLICATION



OUTLINE DRAWING



DIMENSION TABLE

SIZE	4"	6"	8"	10"	12"
N.D	100	150	200	200	300
A	324	440	476	544	620
Approx. H	344	381	400	435	456

NOTE Standard Connection(ANSI 150LB flange) and JIS or different types are available upon request.

COMPONENT MATERIAL

ITEM NO	COMPONENT	BODY	ALUMINIUM	C.S	SS304	SS316
		TRIM	SS304	SS304	SS304	SS316
1	BODY		B26-319.F	A216-WCB	A351-CF8	A351-CF8M
2	COVER		B26-319.F	A216-WCB	A351-CF8	A351-CF8M
3	PADDLE		B26-319.F	A216-WCB	A351-CF8	A351-CF8M
4	PIN		SS304	SS304	SS304	SS316
7	SEAL GASKET		TEFLON			

NOTE AL – Aluminium, C.S – Carbon Steel, S.S – Stainless Steel